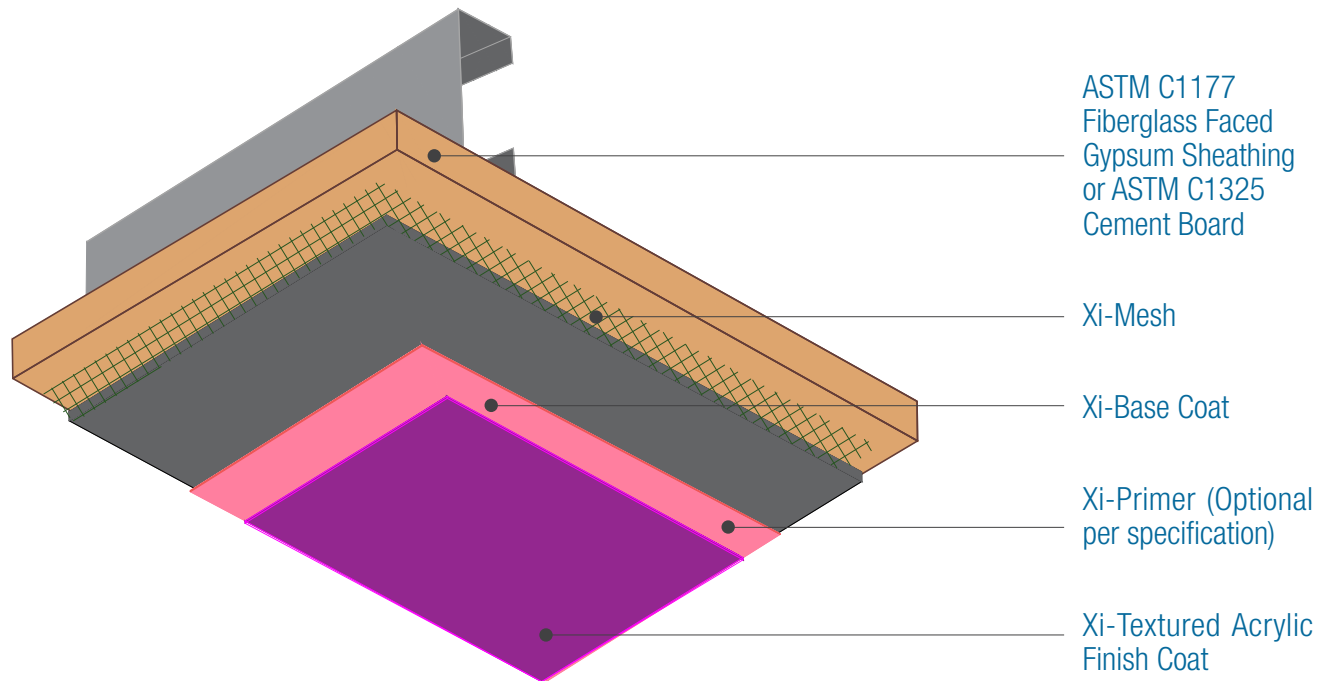




15262 Capital Port
San Antonio, TX 78249
1-800-611-6602
facadesxi.com

Direct Applied Finish System (DAFS) - Soffit Assembly Overview - Isometric

Date. 01-15-2021 | DAFS-S.I.1 v1



NOTES:

1. Soffits must be protected from direct exposure to water in accordance with ASTM C840.
2. For soffits incorporating an air barrier, contact FXI Technical Services
3. Control Joints must be installed per the sheathing manufacturer.

DISCLAIMER: FACADESXI details are recommendations that should be used for guidance only. There may be equivalent means of installation that are not shown in FACADESXI assembly details. All FACADESXI products shall be installed in accordance with FACADESXI product datasheets and all applicable building codes and industry standard practices. The design, engineering and final details incorporating any FACADESXI product are the sole responsibility of the project design professional. FACADESXI is not responsible for determining the acceptability and/or applicability of any FACADESXI product or detail for any specific project or condition. FACADESXI disclaims all liability for improper installation, workmanship, or design by a third-party. EXCEPT FOR ANY EXPRESS REPRESENTATIONS AND WARRANTIES BY FACADESXI, ALL IMPLIED WARRANTIES OF ANY KIND, INCLUDING BUT NOT LIMITED TO WARRANTIES OF MERCHANTABILITY OR FITNESS FOR A PARTICULAR PURPOSE OR COMPLIANCE WITH LAWS OR GOVERNMENT RULES OR REGULATIONS APPLICABLE TO THE PROJECT, ARE HEREBY DISCLAIMED. FACADESXI's website should always be consulted for the latest version of any details and/or product information. Contact FACADESXI for any technical assistance.